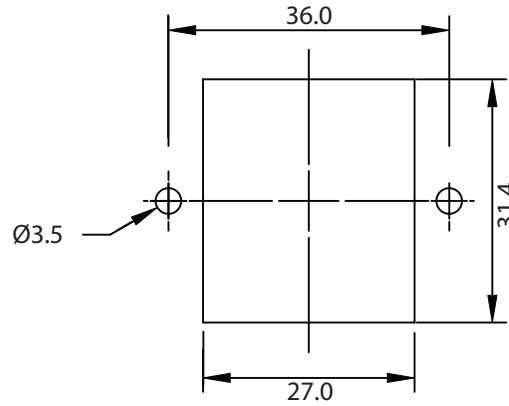
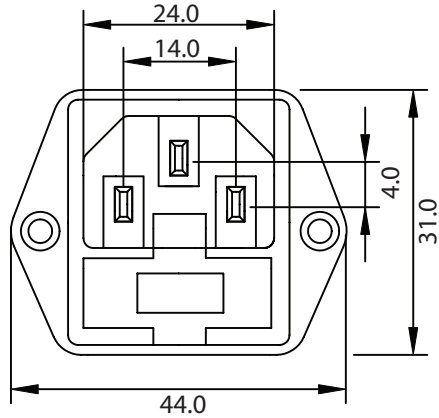
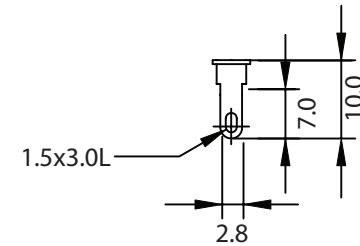
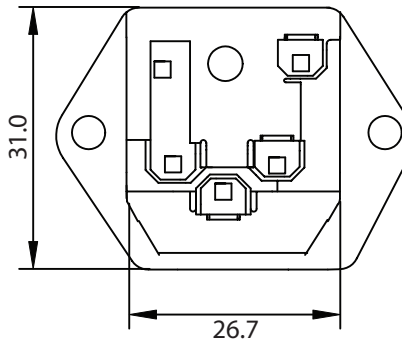
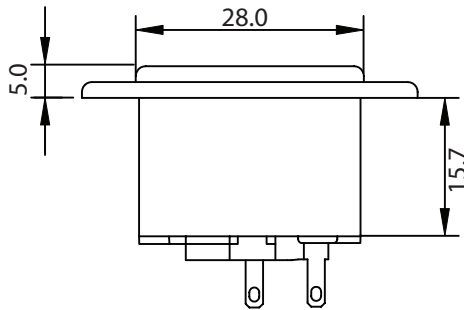
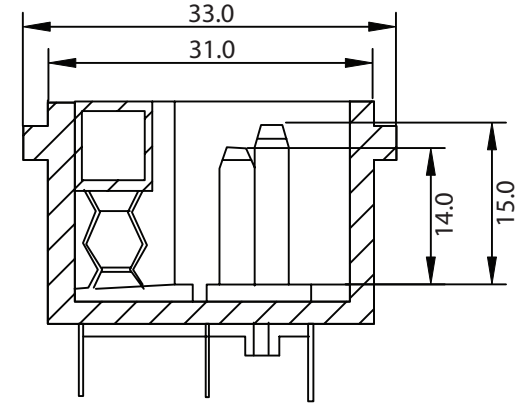


THESE DRAWINGS ARE THE PROPERTY OF QUALTEK ELECTRONICS AND NOT TO BE REPRODUCED FOR OR COMMUNICATED TO A THIRD PARTY WITHOUT THE EXPRESS WRITTEN PERMISSION OF AN OFFICER OF QUALTEK ELECTRONICS.

REVISION			
REV.	DESCRIPTION	DATE	APPROVED
B	RoHS Compliancy	06-01-06	DP



PANEL CUTOUT



NOTES:

MATERIAL:

MOULDING: NYLON, FLAMMABILITY RATING UL 94 V-0

CONTACTS: BRASS, PINS NICKEL PLATED, TAGS TIN PLATED

RATING: 10A 250V AC

CONTACT RESISTANCE: <10m OHM

INSULATION RESISTANCE: >10<sup>3</sup> M OHM

A.C. BREAKDOWN:

POLE-POLE: 5kV

POLES-PANEL: 4.0kV

OPERATING TEMPERATURE: -40 °C TO +70 °C

MAX. PIN TEMPERATURE: +65 °C

APPROVALS: UL, CSA, VDE

DUAL FUSEHOLDER, ONE ACTIVE, ONE SPARE

FUSES NOT INCLUDED - RECOMMENDED SIZE: 5 X 20mm

RoHS COMPLIANT

**CONTROLLED**

Dim range (mm)	Tolerance +/- (mm)	Qualtek Electronics Corp. PPC DIVISION		
		Part Number:	719W-00/02	RoHS Compliant
0-1	0.15	Description: AC RECEPTACLE		
1-6	0.20			
6-18	0.30	UNIT: mm	REV. B	
18-50	0.50		Approved / Date	
50-120	0.70	Drawn / Date	Checked / Date	Approved / Date
120-250	0.90	B.Zhang 01-21-03	01-21-03	JJH / 01-21-03
250-500	1.20			